

CAT Advanced series

Circuit Breaker Analyzers & Timers

- Robust design for field use
- Accurate measurement in high voltage environment
- Both Sides Grounded feature for AIS and GIS (optional)
- Built-in micro ohmmeter (up to 500 A)
- Dynamic resistance measurement
- Detailed analysis of test results using DV-Win software
- Database of circuit breakers test plans



Description

The CAT Advanced series circuit breaker analyzers & timers are stand-alone or a PC-controlled digital instruments for circuit breakers condition assessments. CAT Advanced series records graphs of both, open and close coil currents and displacements of the HV and MV circuit breaker moving parts.

The **timing channels** record closing and opening of the arcing, resistor and auxiliary contacts. The main contact channels can also measure the resistance value of the pre-insertion resistors (if present in the circuit breaker). Furthermore, the main contact timing channels can also measure main arcing contacts operation time of AIS (Air Insulated Substation) circuit breakers with **both sides grounded (BSG)**.

CAT Advanced series provides an easy selection of different operational modes:

- Open (O)
- Close (C)
- Reclose (O-0,3s-C)
- Trip free (CO)
- O-0,3s-CO
- Open-Close (O-C)
- Close-Open (C-O)
- Open-Close-Open (O-C-O)
- First trip (O)

Multiple operations, such as Open-Close and Open-Close-Open, can be initiated by using a predefined delay time or by sensing a breaker's contact position.

The circuit breaker operation can be initiated in different ways (for instance from a control room, by a local switch or externally by a testing device) depending on a testing condition. The several time measurement triggers are available to record a measurement in a various testing condition:

- external trigger
- analog channels
- auxiliary channels
- coil control channel

The **auxiliary inputs** are used to monitor dry and wet auxiliary contacts. The six coil control analog channels can measure and record coil currents simultaneously (OPEN and CLOSE), up to 35 A AC/DC.

Built-in micro-ohmmeter provides high current for dynamic and static resistance measurement, as well as for **BSG** timing measurement of GIS (Gas Insulated Substation) and Dead tank AIS (Air Insulated Substation) circuit breakers.

The additional six **voltage analog channels** have four selectable voltage ranges available (± 1 V, ± 5 V, ± 60 V and ± 300 V AC/DC). They are used to monitor:

- Measurement of coil resistance (simultaneously for 3 coils – during open or close sequence)
- Circuit-breaker substation battery voltage,
- DC and AC currents during the “First trip” test,
- CT secondary currents for BSG test on GIS
- Other types of analog signals that may be relevant.

Three **transducer channels** provide measuring displacement of the circuit breaker moving parts, contact wipe, over-travel, rebound, damping time and an average velocity. Either an analog or a digital transducer can be connected to these universal channels.

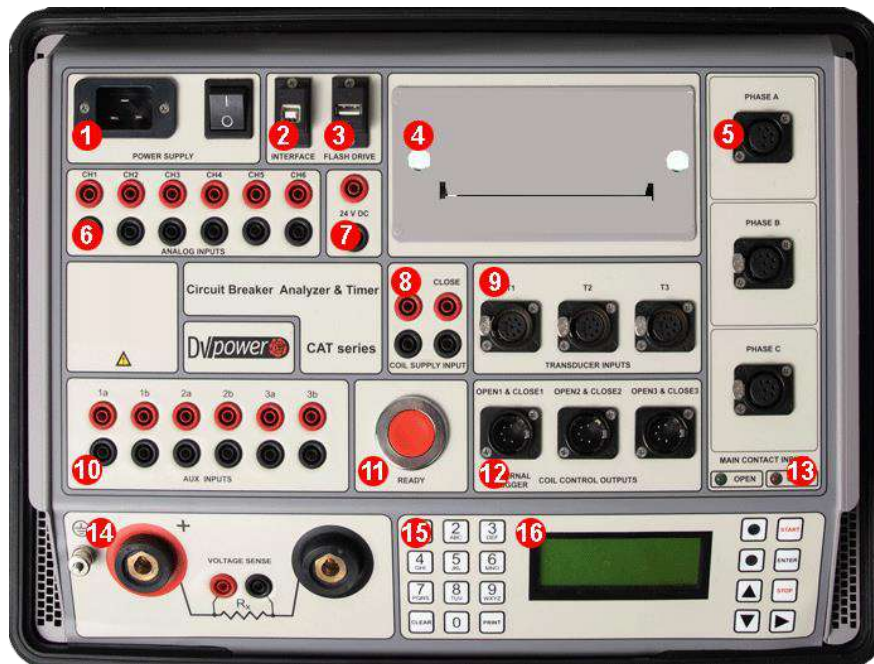
Test results are printed on the 112 mm (4.4 inch) **thermal printer (optional accessory)** in tabular and graphical form.

Application

The list of the instrument applications includes:

- Simultaneous timing measurement of up to 12 main contacts (4 breaks per phase) including pre-insertion resistors (if present in the circuit breaker) and 6 auxiliary contacts
- Resistance measurement of the pre-insertion resistors (if present in the circuit breaker)
- Evaluation of synchronization between the circuit breaker poles
- Measurement of the coil currents, voltages and resistance simultaneously for 6 coils
- Evaluating the state of substation’s batteries by graphically showing the voltage value
- Measurement of displacement, contact wipe, over-travel, rebound, damping time and average velocity of the breaker’s moving parts
- Anti-pumping relay test
- “First trip” test
- Static resistance measurement
- Dynamic resistance measurement
- Minimum operating voltage test (when used as CAT & SAT test system)
- Measurement of spring-charging motor time, current and voltage (both DC and AC power supply voltage, when used as CAT & SAT test system)

Features



1 - Mains power supply input

90 – 264 V AC; 50 Hz – 60 Hz

2 - PC communication

USB interface

3 - Flash drive

Used for a direct download of test results on a USB memory stick.

4 - Thermal printer (optional)

(Built-in 112 mm (4.4 inch) wide) Graphic and numeric printout of contact and travel wave form

5 - Main contacts inputs

Used for timing of the main and pre-insertion resistor contacts, and for the resistance measurement of the pre-insertion resistors.

6 - Analog channels inputs

Used for a voltage measurement of an analog signal that may be relevant.

7 - Current clamps voltage supply

24 V voltage output for current clamps

8 - Coil supply input

Separated voltage supply inputs for open and close coil control.

9 - Motion transducer inputs

Intended for measuring displacement of circuit breaker's moving parts.

10 - Auxiliary inputs

Used for timing measurement of dry or wet auxiliary contacts.

11 - READY button

Prepares the instrument for the start of the test

12 - Coil control outputs & external trigger input

Used for operating the circuit breaker OPEN and CLOSE coil or external trigger feature.

13 - Breaker state indicator

Indicates CLOSE or OPEN breaker position.

14 - Micro Ohmmeter

(built-in micro ohmmeter – up to 500 A DC) for static and dynamic contact resistance measurement (not available with CAT64A and CAT124A)

15 - Alphanumeric keypad

Used for entering breaker data, test data and control functions

16 - LCD display

20 characters by 4 Lines; LCD display with backlight, viewable in bright sunlight

Timing measurement

Timing measurement of the mechanical operations is one of the most important tests to determine real condition of the circuit breaker. Timing measurement tests fulfill all the requirements defined by IEC 62271-100 and IEEE C37.09.

In three-phase systems, not only the contacts in a single pole have to operate simultaneously, but all poles must also operate at the same time. All contacts must be synchronized, within a certain tolerance limit.

Synchronization between the circuit breaker poles during opening shall not exceed 1/6 of the rated frequency cycle (3,33 ms at 50 Hz; 2,78 ms at 60 Hz) and during closing shall not exceed 1/4 of the rated frequency cycle, as well (5,0 ms at 50 Hz; 4,17 ms at 60 Hz).

Simultaneous measurements within a single phase are important in situations where a number of contacts are connected in series.

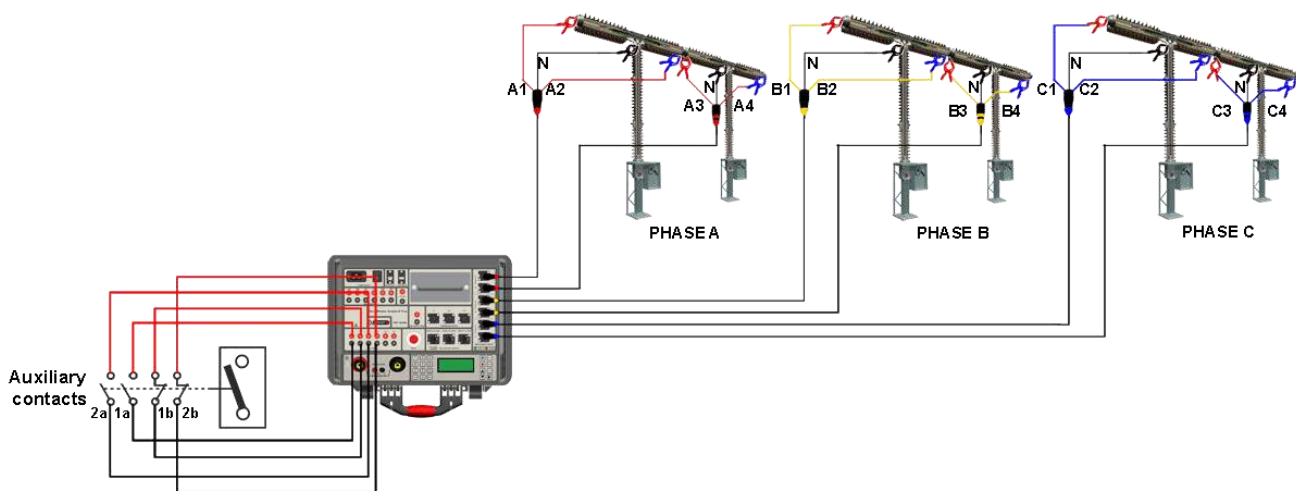
The maximum difference between the instants of contact separation within series connected interrupter units shall not exceed 1/8 of a cycle of rated frequency (2,50 ms at 50 Hz; 2,08 ms at

60 Hz). Maximum difference between the instants of contacts touching within series connected interrupter units shall not exceed a 1/6 of a cycle of rated frequency (3,33 ms at 50 Hz; 2,78 ms at 60 Hz).

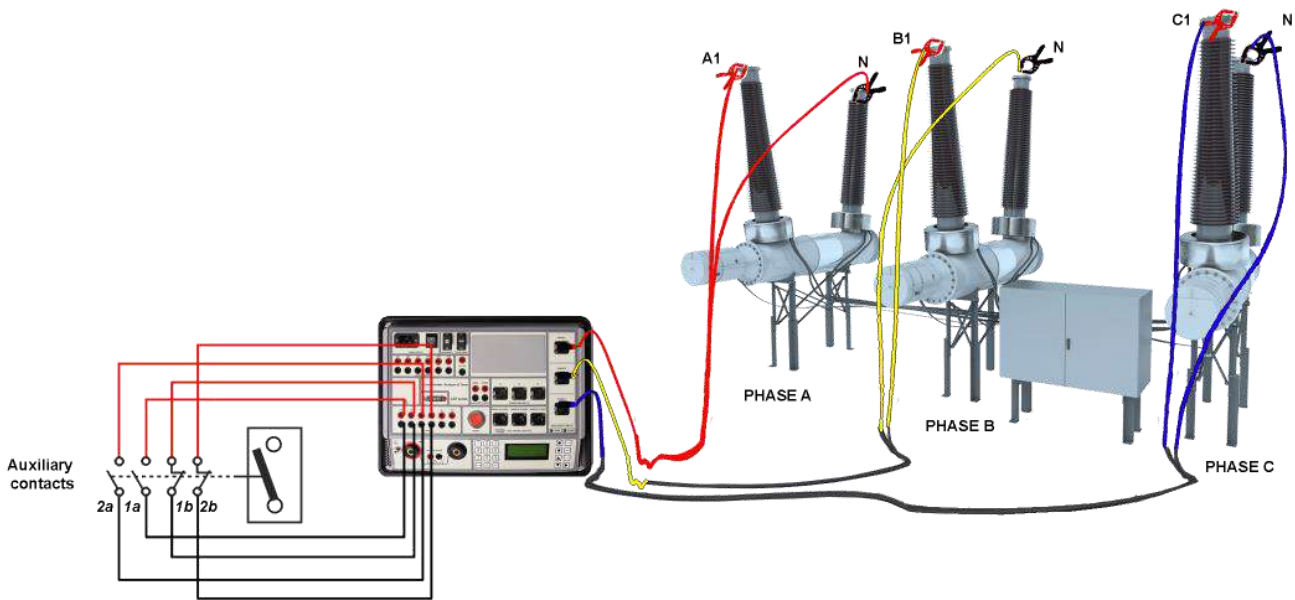
Auxiliary contacts are mechanically driven by the operating mechanism and are used for control and indication of main contacts' state. There are no general requirements, related to timing measurement of auxiliary contacts, described in IEC® and IEEE® standards. Anyway, in order to assess condition of high-voltage circuit breakers, it is important to check their operation.

Type "a" contact follows circuit breaker main contact position and must close/open ahead of the closing/opening of the main contact. Type "a" contact is connected in series with the open coil and interrupts the open coil circuit when the circuit breaker opens.

The "b" contact must open/close when the operating mechanism has released its stored energy in order to close/open the breaker. Type "b" contact is connected in series with the closing coil, interrupting the closing coil circuit when the circuit breaker closes.



Connecting the main contact timing cables to a Live Tank circuit breaker with 4 breaking elements per phase along with auxiliary timing cables to a test object



Connecting the main contact timing cables to a Dead Tank circuit breaker with 1 breaking element per phase along with auxiliary timing cables to a test object

Both Sides Grounded

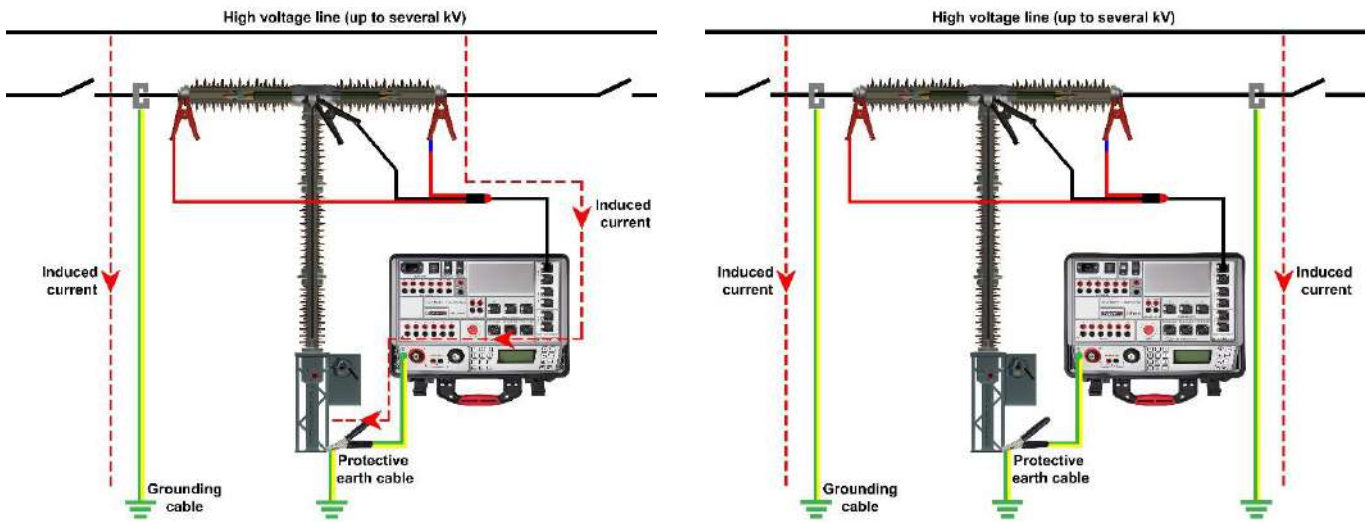
Utilities and service companies increase their emphasis and demands on the safety regulations. Regulations and laws (IEEE Standard 510-1983) require all objects to be grounded on both sides before any maintenance work is performed on the object. In all substations grounding on both sides of the circuit breaker contacts is the best way to provide safety. If the circuit breaker (CB) is not grounded on both sides, there is a risk of appearance of induced high voltages and currents at the ungrounded terminals. These safety grounds also eliminate any static discharge in the circuit breaker contact and conduct any line power close to the circuit breaker while the personnel are working.

These earth grounds present a short-circuit condition to the traditional test equipment, and therefore the circuit breaker always looks to be in the closed state. In practice, it is necessary to remove at least one of the safety grounds from

the circuit breaker prior to testing, and to reinstall the ground(s) after testing is complete. This procedure is not desirable as it introduces a possibility that the ground may not be reconnected after the test, presenting a safety hazard.

Both Sides Grounded (BSG) timing measurement feature of **Live Tank AIS (Air Insulated Substation) circuit breakers** enables safe and fast testing in high voltage substations, without removing the safety ground connections on both sides of the circuit breaker. No additional modules or remote boxes are required.

Each main contact timing channel is able to detect main contacts state in case when both terminals are grounded. Therefore, for this measurement same main contact cables are used as for conventional timing measurement.

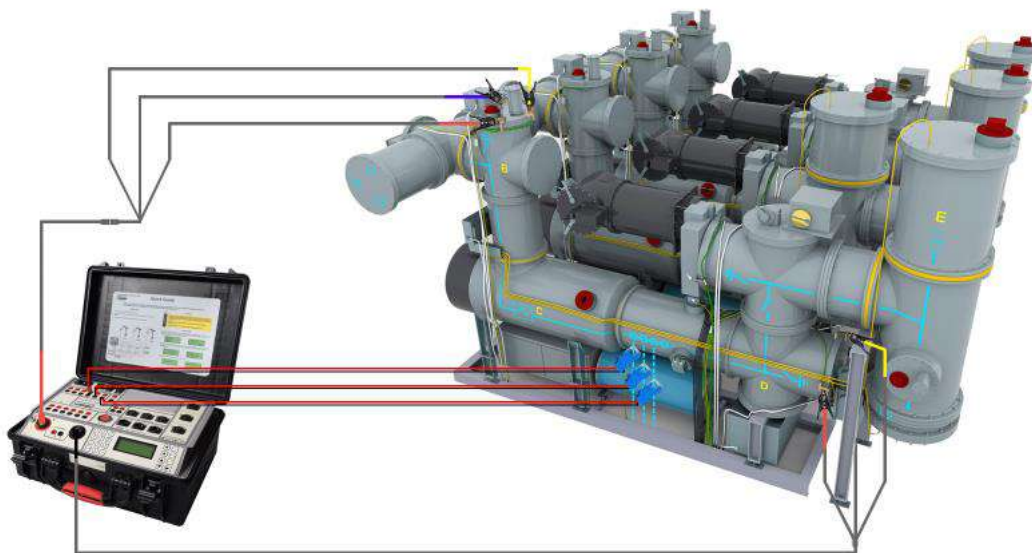


Both Sides Grounded (BSG) of GIS (Gas Insulated Substation) feature enables timing measurement of GIS circuit breakers contact time without having to remove detachable shunts for grounding of GIS circuit breaker terminals. The same method is used for timing measurement of **Dead Tank AIS (Air Insulated Substation) circuit breakers** contact time with **any type of grounding system** being applied to both sides of the bushings.

Method is based on the DC current generation through the main circuit and measurement voltage or current response on the CT secondary during CB operation.

Built-in micro ohmmeter (up to 500 A) is used as a DC current source. A connection from a current source to circuit breaker terminals is performed with current cables which further branch each in three cables, providing in that way the equal current distribution through all three main contacts.

The AC transformer based current probes are connected to accessible CT secondary terminals. The current AC probes, which outputs are connected to analog channels inputs, will detect a change in the response signals when the circuit breaker contact is opened or closed.



Timing measurements on Gas Insulated Switchgear (GIS) with grounding on both sides

Motion measurement

Motion measurement of the high voltage circuit breakers' contact system is of crucial importance for assessing a condition of the test object. The three motion transducer channels can acquire data from 3 linear or rotary motion transducers. Each channel can be configured for either an analog or a digital transducer.

Due to universal transducer channels design, a user can connect a variety of motion transducers available on the market.

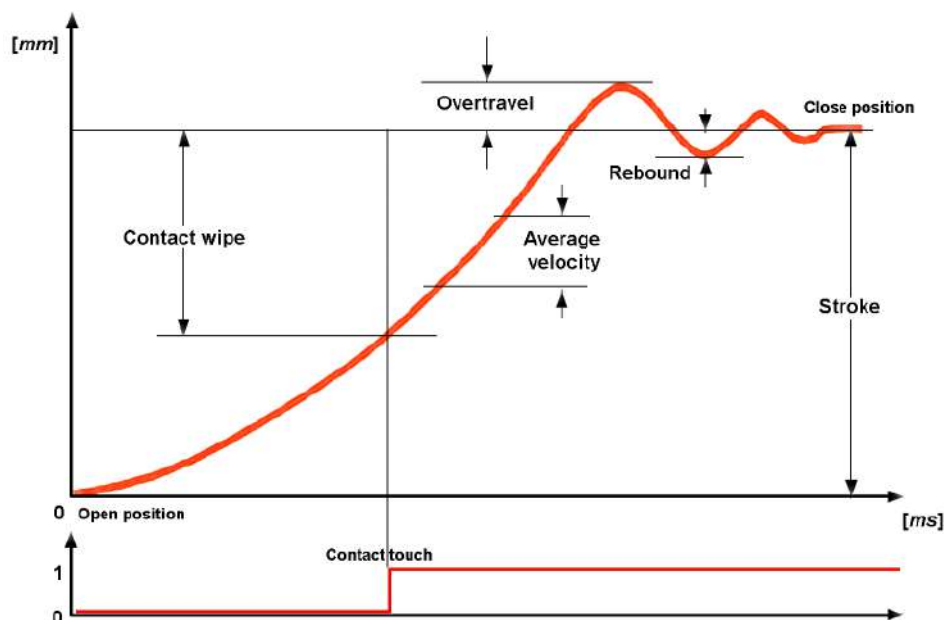
Performance values such as stroke, over-travel, rebound, contact wipe are obtained as a result of the measurement. These values can be compared to the manufacturer's reference data and data acquired from previous measurements. This provides indications about potential wear of the breaker.

Average velocity is calculated between the two points on the motion curve. The upper point is defined as a distance in length or time elapsed from the breaker's closed position, or contact-separation point. The lower point is determined based on the upper point. It can either be a distance below the upper point or a time before the upper point. Up to 5 zones for average velocity calculation can be selected.



Digital rotary transducer mounted on ABB LTB 245 kV SF6 circuit breaker

User is usually allowed to mount transducers on accessible parts of the circuit breaker's mechanical linkage. Beside this, instrument often records rotary motion, even it is known the main contacts motion is linear. As a result, motion results obtained do not represent real movement of the main contacts, but just linear or nonlinear interpretation of the main contacts moving parts displacement. DV-Win software provides transfer function feature which allows user to define linear or non-linear parameters in order to obtain actual displacement values of the main contact moving parts.



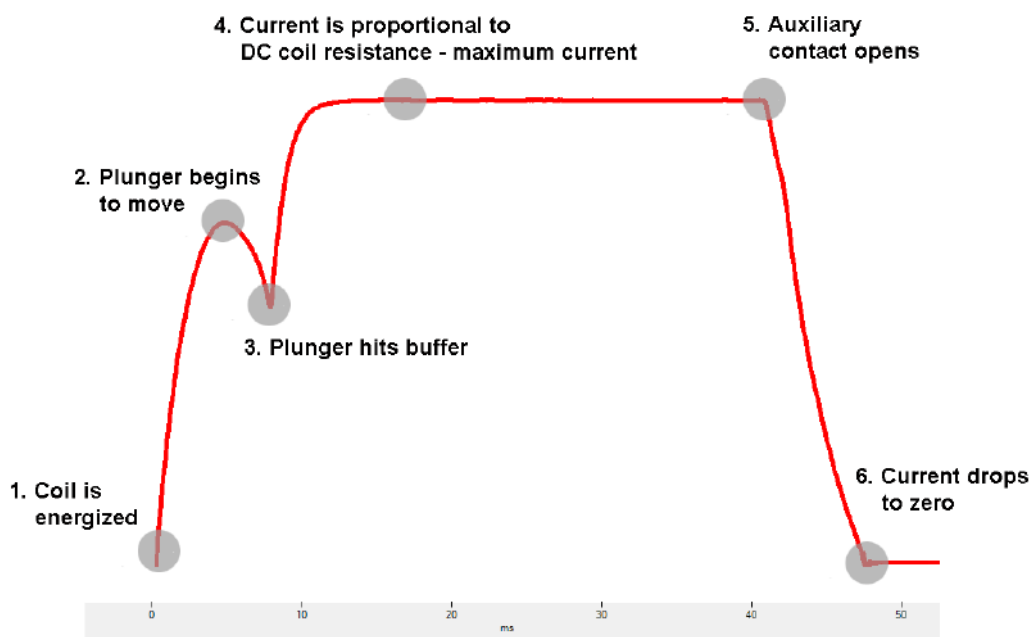
Coil current measurement

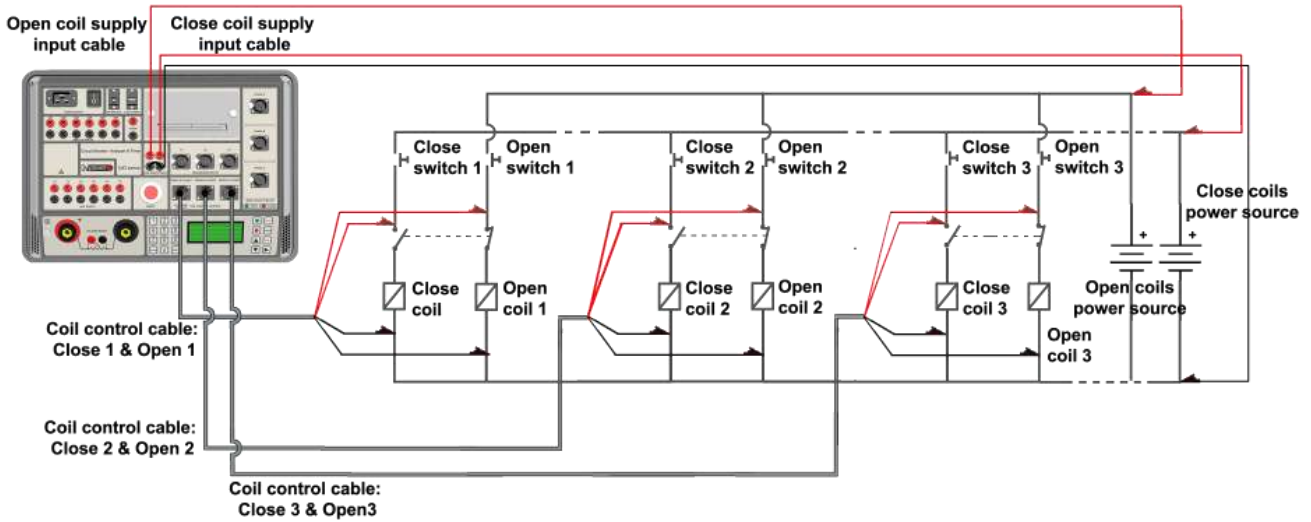
The IEC 62271-100 standard states that it is desirable to record the coil currents waveform, since it provides information about coils' condition (e.g. increased friction of the plungers, burned insulation, short-circuited part of the winding), the latch for release of the operating mechanism (e.g. increased friction) and the operating mechanism speed that can be seen based on the opening time of auxiliary contacts).

When the opening or closing command is initiated, the coil is energized (point 1) and the current rises causing a magnetic field to apply a force on the iron plunger. When the force on the plunger exceeds the retaining force the plunger begins to move (point 2). The motion of the iron plunger induces an *EMF* in the coil, effectively reducing the current.

The combined mass of the plunger and the latch continue to move at a reduced velocity causing a further reduction in the coil current (points 2 to

3) until it hits a buffer bringing it to a rest (point 3). If the current values at points 2 and 3 are higher than specified and the time at point 3 is longer than specified, it may indicate a friction of the plunger and latch. With the plunger at rest, the current increases to the saturation level (DC current, which is proportional to the coil resistance, point 4). If the current value from point 4 to point 5 deviates from specific it may indicate a burned insulation or short-circuited part of the winding of coil. Meanwhile, the latch unlocks operating mechanism, releasing the stored energy to open the main breaker contacts. Typically, after a short delay the auxiliary contacts open, disconnecting the opening coil from the control voltage (point 5). As the coil is de-energized the current drops quickly to zero in accordance with the coil inductance (point 6). Longer time than specified at points 5 and 6 may indicate auxiliary contact malfunction or insufficient driving energy of the operating mechanism.



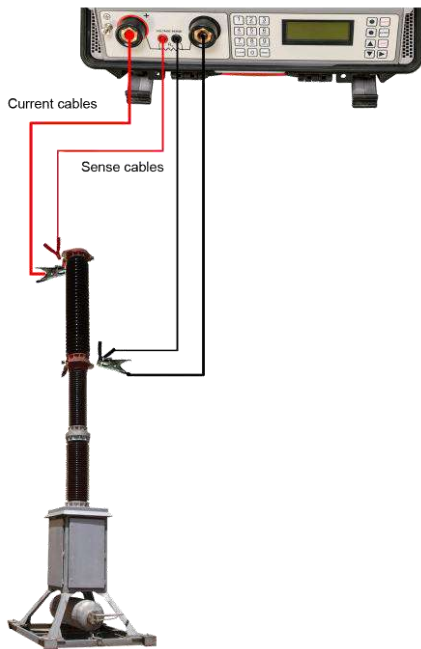


Connecting the coil control cables to 3 open and 3 close coils of the single pole controlled circuit breaker

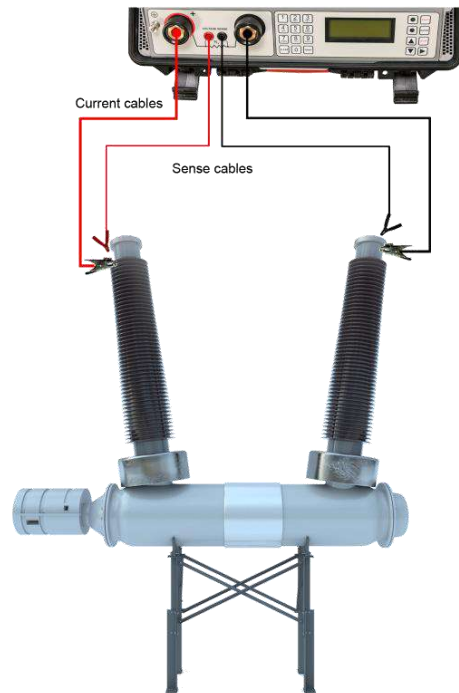
Static resistance measurement

The built-in micro ohmmeter generates up to 500A true DC ripple free current with an automatically regulated test ramps. The resistance measurement is using the well-known Kelvin's four point's method.

The DC current is generated through the closed circuit breaker contacts. Voltage drop is measured between terminals of the circuit breakers. The resistance is calculated using the Ohm's law $R=U/I$.



Micro Ohmmeter cable connection on a live tank circuit breaker



Micro Ohmmeter cable connection on a dead tank circuit breaker

High – Precision module (built-in)

The high-precision module is newly developed built-in addition to micro ohmmeter available in CAT Advanced series. It provides an increased precision and offers a highly accurate contact resistance measurement in the range from 1 $\mu\Omega$ to 30 $\mu\Omega$, with 0,01 $\mu\Omega$ resolution.

CAT Advanced series with the built-in High Precision Module may be used for applications on very small resistance measurements of non-inductive test objects. This requirement is usually met at resistance inspections of generator circuit breakers, welding joints, GIS testing, etc.

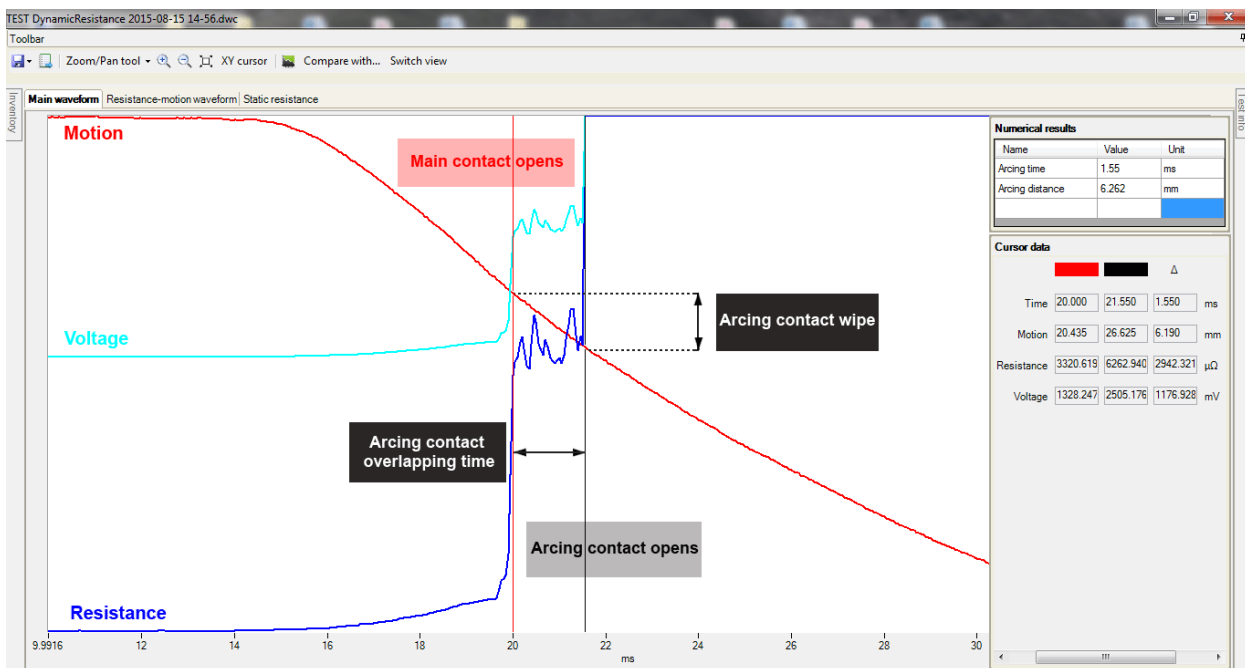
DRM (Dynamic Resistance Measurement)

The built-in micro ohmmeter can also be used for the DRM. DRM test is performed by injecting a current through the breaker contact and simultaneously monitoring the voltage drop across the breaker contact as well as the current flow during the breaker operation. The DRM test requires the circuit breaker analyzer with a high-resolution measurement.

The resistance curve, as a function of a contact travel can be used to reveal potential problems

related to the arcing contact condition. The injected current value should be as high as possible but no less than 100 A, to provide a reliable voltage drop reading, thus allowing an easier detection of the arcing contact.

CAT36, CAT66 and CAT126 models incorporate the most powerful micro ohmmeter generating up to 500 A.

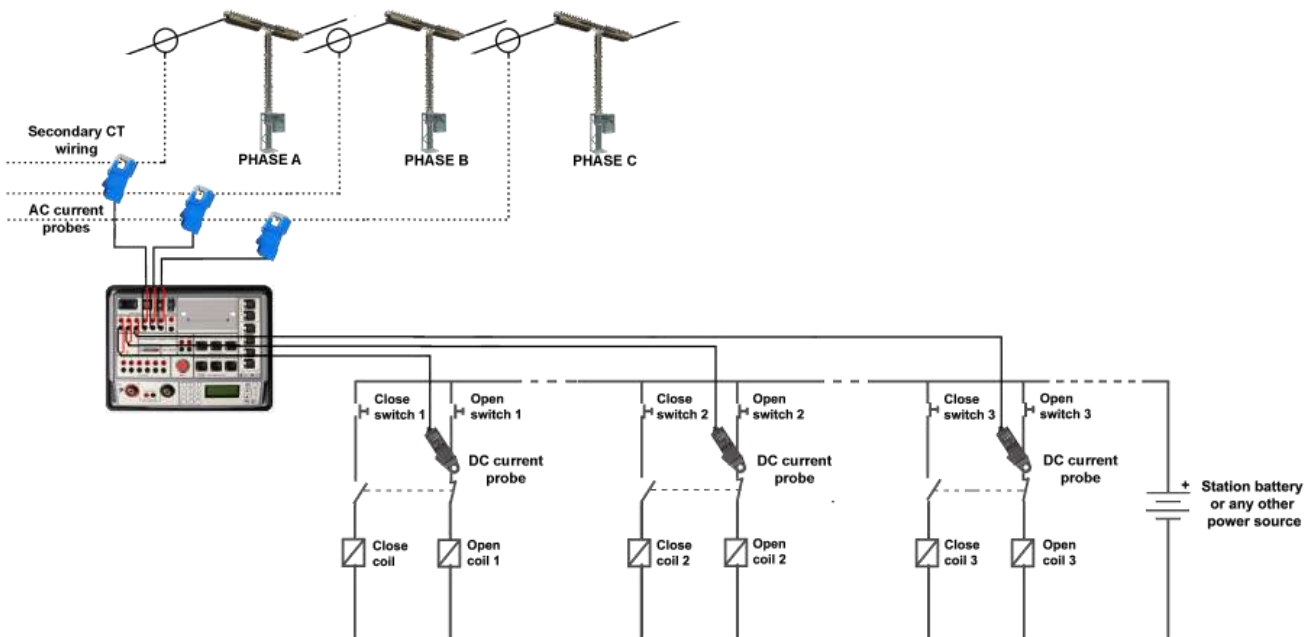


First trip test

“First trip” analysis is important to determine a condition of the coil operating mechanism. Circuit breaker spends most of its lifetime conducting a current without any operation. Once the protective relay detects a problem, the circuit breaker, that was idle for maybe a year or longer, has to operate as fast as possible. However, if the circuit breaker has not been operated for a long time, the friction of the trip latch release mechanism may increase. Information about the latch friction, open circuit contacts, insufficient spring tension, can be

learned from the coil current waveform recorded during the “**First trip**” test.

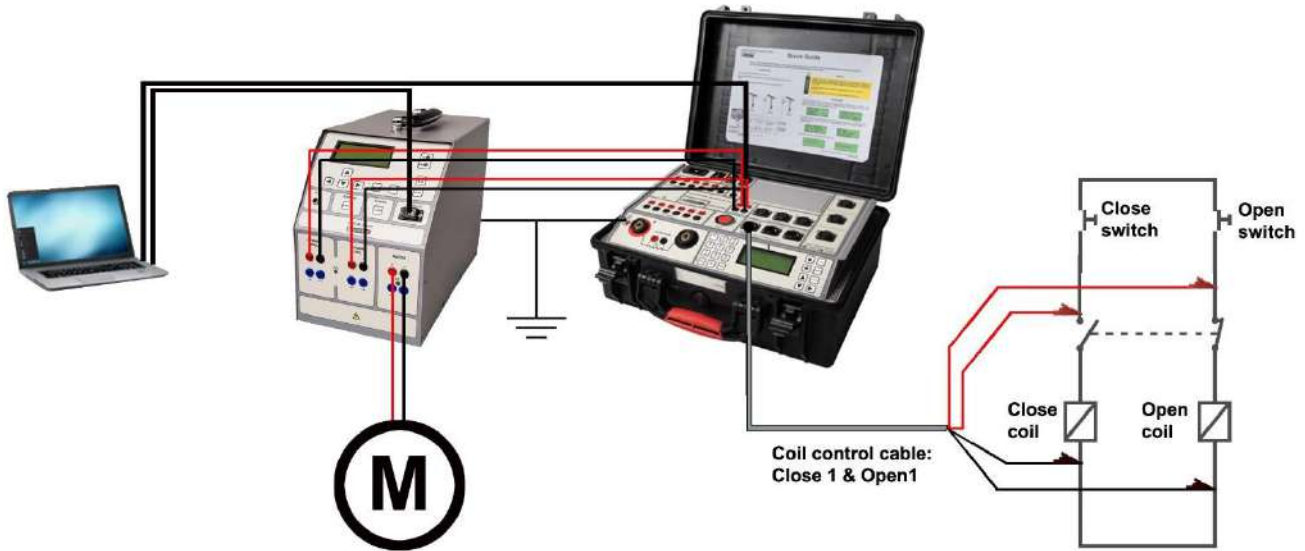
Since the breaker is in service, the conventional way of off-line timing measurement with timing cables across the interrupter cannot be used. Instead of main contact timing cables, three current probes are used. These current probes show current flowing through the secondary side of the current transformer for each phase. The instant when the current stops flowing, reveals the breaker open time.



Connecting the DC current probes for measurement of the coil current and AC current probes to the line currents during the “First trip” test

CAT & SAT as Circuit Breaker Test System

The CAT Advanced series circuit breaker analyzers & timers can be coupled with DV Power Coil Analyzer SAT II series. When connected to DV-Win software these two instruments create one test system (control and reporting done with the same software). The SAT40A II series can be used as a power supply unit for measurement of spring-charging motor current and voltage as well as determination of minimum trip voltage of circuit breaker coils.



DV-Win software

Acquisition and Analysis

DV-Win software provides acquisition and analysis of the test results, as well as control of all the CAT Advanced series functions from a PC. It supports measurements process and step by step guidance through the entire test procedure, providing faster, easier, and safer testing.

Graphical presentation

Graphical presentation of a variety of measurements and timing test results uses cursors and powerful zoom functions for detailed analysis. Colors, grids, scales, and positioning of the test data are all controlled by the user. DV-Win supports automatic unit conversion (e.g.: cycles to seconds or mm to inches). The test records can be exported in **.dwc** file format for further analysis.

Database

Results are automatically stored and organized in the database on your PC and are available for analysis and reporting. Each test can be automatically assessed according to manufacturer specifications or based on your individual limit values.

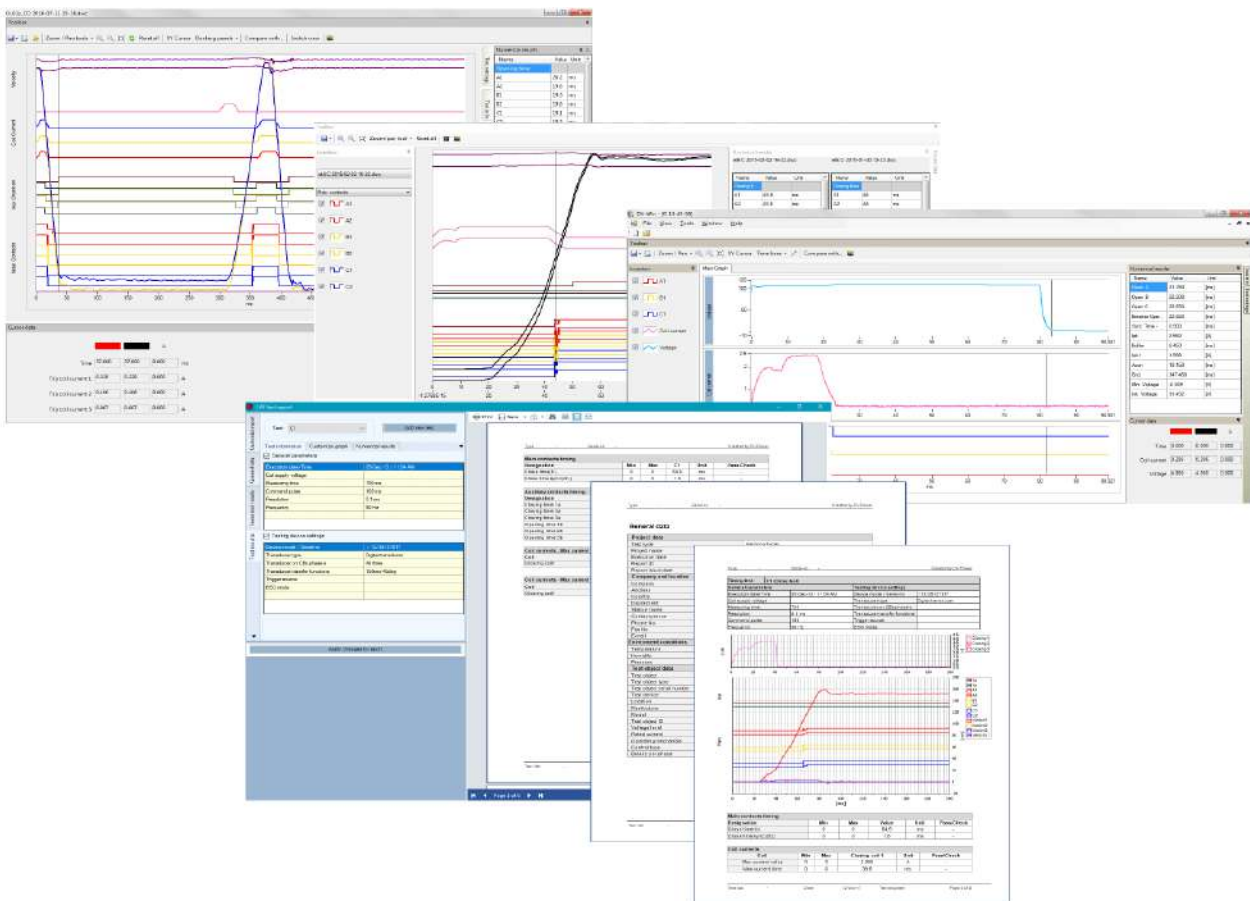
DV-Win software database can be updated with over 500 test plans of different apparatus commonly used in most utilities and substations. This valuable benchmark data used for test results evaluation is provided upon request.

Reports

DV-Win automatically generates reports including all asset-related information and performed tests. This gives you a comprehensive overview of the test object, test results and assessment. You can easily adapt test reports, for example, by choosing from different types of result tables and diagrams and by providing comments on every test. Furthermore, you can incorporate your company logo, photos and other test results.

DV-Win features

- Full control of the CAT functions from a PC
- Capability to simultaneously control CAT, SAT and RMO series models to create one test system
- Data base library of Circuit Breakers (optional)
- Downloading the test results from the instrument
- Acquisition and analysis of the test results
- The test results can be viewed, edited, saved, printed and exported
- Viewing and overlaying several graphs, for an easy test result comparison
- Selecting the measurement points and intervals using the two cursors
- Zoom and pan graph feature
- Specific test sequence setup
- Creation of predefined test plans for an easy and quick field testing
- Customized configuration of the test result graphs



Technical data

Main contact inputs

- Number of contact inputs: up to 12 (3 x 4), 4 per phase, depending on the model
 - Each channel detects main and pre-insertion resistor contacts.
 - Closed $\leq 10 \Omega$,
 - Resistor contacts range 10Ω to $5 \text{ k}\Omega$,
 - Open $\geq 5 \text{ k}\Omega$
- Open circuit voltage: 20 V DC
Short circuit current: 100 mA
- Each channel measures resistance of pre-insertion resistors

Auxiliary inputs

- Number of channels: 6, galvanically isolated
- User selectable: dry or wet
- Contact sensing (dry):
 - Open circuit voltage 20 V DC $\pm 20\%$
 - Short circuit current 25 mA $\pm 20\%$
 - Closed threshold $< 600 \Omega \pm 30\%$.
 - Open threshold $> 600 \Omega \pm 30\%$.
- Voltage sensing (wet):
 - Working voltage up to 300 V DC, 250 V AC
 - Open state threshold $< 8 \text{ V}$, insensitive to polarity.
 - Closed state threshold $> 13 \text{ V}$, insensitive to polarity.
- Overcurrent and overvoltage protection

Coil driver

- Number of channels: 6 (3 open and 3 close coil)
- 6 separate outputs for coil triggering
- Driver characteristics: 300 V DC/AC_{max}, 35 A DC/AC_{max}
- Electronic drivers: it provides superior timing control
- Overcurrent and overvoltage protection
- Coil supply inputs for open and close coil: 300 V DC/AC_{max}, 35 A DC/AC_{max}

Time measurement

Time measurement resolution:

- 0,025 ms for 1 s test duration (sampling rate 40 kHz)
- 0,1 ms for 2 s test duration (sampling rate 10 kHz)*
- 1 ms for 20 s test duration (sampling rate 1 kHz)
- 10 ms for 200 s test duration (sampling rate 100 Hz)

Time accuracy $\pm 0,01\%$ of the reading $\pm 0.1 \text{ ms}$

**0,1 ms for 10 s test duration is available upon request*

Breaker operation

- Close (C)
- Open (O)
- Close-Open (C-O)
- Open-Close (O-C)
- Open-Close-Open (O-C-O)
- First trip test

User can select any desired test sequence

Current measurement

- Current measurement for Open and Close coil, 6 channels, Hall-Effect sensor
- Range $\pm 35 \text{ A AC/DC}$ to 5 kHz
- Resolution: 25 mA
- Accuracy $\pm (0,5 \% \text{ rdg} + 0,1 \% \text{ FS})$
- Graphic presentation: currents waveform is displayed with resolution of 0,1ms

Coil resistance measurement

- 3 coils simultaneously (Open or Close)
- Measuring range / Resolution
 - 1 Ω - 99,9 Ω / 0,1 Ω
 - 100 Ω - 999 Ω / 1 Ω
- Typical accuracy $\pm (0,5 \% \text{ rdg} + 0,5 \% \text{ FS})$

Universal transducer inputs

- 3 digital travel transducer channels
Digital rotary transducers: 2500ppr
- 3 analog travel transducer channels
- Analog transducer input measurement resolution: 16 bit.
- Internal supply for linear transducer: 5 V DC

Time measurement triggers

- External trigger: 2 channels (Open 1 & Close 1), input voltage: 10 V – 300 V AC/DC
- Coil currents: threshold level user selectable
- Auxiliary inputs
- Analog inputs: threshold level user selectable

Analog inputs

- 6 channels – Coil current measurement
- 6 Voltage channels, each channel has four measurement ranges: ± 1 V, ± 5 V, ± 60 V and ± 300 V AC/DC
- Typical accuracy:
 $\pm (0,1\% \text{ rdg} + 0,05\% \text{ FS})$ up to 10 V AC /DC
 $\pm (0,5\% \text{ rdg} + 0,1\% \text{ FS})$ up to 300 V AC/DC

The analog inputs are isolated with respect to all other circuits

DC output

- 24 V voltage supply for current clamps

Static resistance measurement

- Built-in Micro Ohmmeter with up to 500 A, depending on the model
- Current range 5 A - 500 A
- Max. load voltage 6,2 V
- Resistance range $0 \mu\Omega$ - 999,9 m Ω
- Resolution 0,1 $\mu\Omega$
- Accuracy $\pm (0,1\% \text{ rdg} + 0,1\% \text{ FS})$

Dynamic resistance measurement

- Voltage and current measuring channels
- DRM sampling rate 40 kHz (0,025 ms time resolution)
- Resolution 16 bit
- Breaker operations available for DRM test:
 - Open (O)
 - Close (C)
 - O – C (auto reclose)
 - C – O (make brake)

Internal Memory

- Store up to 500 test records (including numerical and graphical results)

Printer (optional)

- Thermal printer
- Graphic and numeric printout
- Paper width 112 mm / 4.4 in

The print density is guaranteed within range: 5°C to 40°C, 20 to 85% relative humidity, non-condensing

Dimensions and weight

- Dimensions (W x H x D):
480 mm x 197 mm x 395 mm
18.89 in x 7.75 in x 15.55 in
- Weight:
from 10,7 kg (23.5 lbs) up to 13.2 kg (29.1 lbs) depending on the model and built-in features

Mains power supply

- Connection according to IEC/EN60320-1; UL498, CSA 22.2
- Mains supply: 90 V - 264 V AC
- Frequency: 50/60 Hz
- Input power (max.):
 - 100 VA (without use of Micro Ohmmeter)
 - 1500 VA (with use of Micro Ohmmeter 200 A)
 - 3900 VA (with use of Micro Ohmmeter 500 A)

Applicable Standards

- Installation/overvoltage: category II
- Pollution: degree 2
- Safety: LVD 2014/35/EU (CE Conform) Standard EN 61010-1
- EMC: Directive 2014/30/EU (CE Conform) Standard EN 61326-1:2006
- CAN/CSA-C22.2 No. 61010-1

Environmental conditions

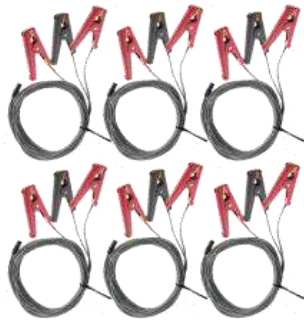
- Operating temperature:
-10 °C - + 55 °C / 14 °F - +131 °F
- Storage & transportation:
-40 °C - + 70°C / -40 °F - +158 °F
- Humidity 0 % - 95 % relative humidity, non-condensing

Warranty

- 3 years + additional 1 (one) year upon registration on DV Power official website

All specifications herein are valid at ambient temperature of + 25 °C and standard accessories. Specifications are subject to change without notice.

Accessories



Main contact cables 5 m (16.4 ft) with SCT clamps (four breaks per phase)
(CM-05-12MXST)



Main contact cables 5 m (16.4 ft) with SCT clamps (two breaks per phase)
(CM-05-65MXST)



Main contact cables 5 m (16.4 ft) with SCT clamps (one break per phase)
(CM-05-34MXST)



Main contacts extensions cables 10 m (32.8 ft)* with banana plugs
(E6-10-12MXFX)



Main contacts extensions cables 10 m (32.8 ft)* with banana plugs
(E3-10-65MXFX)



Coil control cable set 5 m (16.4 ft) with banana plugs (Single-pole control - 6 coil channels)
(CO-05-6BC5B1)



Coil control cable 5 m (16.4 ft) with banana plugs (Three-pole control - 2 coil channels)
(CO-05-00C5B1)



Coil supply cable set 4 x 5 m 2,5 mm² (16.4 ft) with banana plugs
(CS-05-02BPBP)



Sense cables 2 x 10 (32.8 ft) m with alligator clamps A2
(S2-10-02BPA2)



Current cables 2 x 10 m 50 mm² (32.8 ft, 0 AWG) with battery clamps
(C2-10-50VMB3)



Current cables 2 x 10 m 25 mm² (32.8 ft, 3 AWG) with battery clamps
(C2-10-25LMB1)



Auxiliary contacts cable set 12 x 5 m (16.4 ft) with banana plugs*
(AX-05-02BPBP)



Analog channels cable set 12 x 5 m (16.4 ft) with banana plugs*
(AN-05-02BPBP)



Current cables with branch connectors 2 x (3 x 5 m, 16 mm²) with SCT clamps (C6BC-05-16GMST)



Cable bag
(CABLE-BAG-00)



Cable plastic case - medium size
(CABLE-CAS-02)



Cable plastic case with wheels - large size
(CABLE-CAS-W3)



Plastic transport case
(HARD-CASE-PC)



Current clamp 30/300 A power supplied from the instrument with adapter 5m
(CACL-0300-07)



Current clamp 30/300 A with internal battery supply and extension 5 m
(CACL-0300-08)



AC Current clamp 1 A / 1 V and cable 5 m with banana plugs
(CACL-ACBP-05)



Test Shunt 600 A / 60 mV
(SHUNT-600-MK)



Digital rotary transducer with 5 m (16.4 ft) connection cable
(DRT-250-C605)



Digital rotary transducer with 5 m connection cable with accessories
(DRT-SET-0005)



Universal transducer mounting kit (extended version)
(UTM-KIT-0001)



Three phase digital rotary transducer kit (with 5 m connection cable)
(TPH-DRTS-050)



Linear analog transducer (TLH) 225 mm with 5 m connection cable**
(LAT-225-C305)



Doble transducer adapter
(DTA-BOX-C002)



Online first trip test kit - Three-pole control
(ONFTT-KIT-01)




Online first trip test kit - Single-pole control
(ONFTT-KIT-00)


*The above cables are also available in several lengths and terminations.
**The above linear analog transducers are available in several lengths.
Please contact DV Power for more information

CAT Advanced series - models


CAT35

	<p>Main contact inputs Number of contact inputs: 3 (3 x 1), 1 per phase</p> <p>Auxiliary contact inputs: 6</p> <p>Analog contact inputs: 6</p> <p>Coil control outputs: 6</p> <p>Transducer inputs: 3</p>	<p>Static resistance measurement: Built-in Micro Ohmmeter 200 A</p> <p>Optional: High precision module (built-in) BSG on Live Tank AIS BSG on Dead Tank AIS</p>
---	--	---


CAT36

	<p>Main contact inputs Number of contact inputs: 3 (3 x 1), 1 per phase</p> <p>Auxiliary contact inputs: 6</p> <p>Analog contact inputs: 6</p> <p>Coil control outputs: 6</p> <p>Transducer inputs: 3</p>	<p>Static resistance measurement: Built-in Micro Ohmmeter 500 A</p> <p>Optional: High precision module (built-in) BSG on Live Tank AIS BSG on Dead Tank AIS BSG on GIS</p>
---	--	--


CAT64A

	<p>Main contact inputs Number of contact inputs: 6 (3 x 2), 2 per phase</p> <p>Auxiliary contact inputs: 6</p> <p>Analog contact inputs: 6</p> <p>Coil control outputs: 6</p> <p>Transducer inputs: 3</p>	<p>Static resistance measurement: Not available</p> <p>Optional: BSG on Live Tank AIS</p>
--	--	---

CAT65

	<p>Main contact inputs Number of contact inputs: 6 (3 x 2), 2 per phase</p> <p>Auxiliary contact inputs: 6</p> <p>Analog contact inputs: 6</p> <p>Coil control outputs: 6</p> <p>Transducer inputs: 3</p>	<p>Static resistance measurement: Built-in Micro Ohmmeter 200 A</p> <p>Optional: High precision module (built-in) BSG on Live Tank AIS BSG on Dead Tank AIS</p>
---	--	---

CAT66

	<p>Main contact inputs Number of contact inputs: 6 (3 x 2), 2 per phase</p> <p>Auxiliary contact inputs: 6</p> <p>Analog contact inputs: 6</p> <p>Coil control outputs: 6</p> <p>Transducer inputs: 3</p>	<p>Static resistance measurement Built-in Micro Ohmmeter 500 A</p> <p>Optional: High precision module (built-in) BSG on Live Tank AIS BSG on Dead Tank AIS BSG on GIS</p>
---	--	---

CAT124A

	<p>Main contact inputs Number of contact inputs: 12 (3 x 4), 4 per phase</p> <p>Auxiliary contact inputs: 6</p> <p>Analog contact inputs: 6</p> <p>Coil control outputs: 6</p> <p>Transducer inputs: 3</p>	<p>Static resistance measurement: Not available</p> <p>Optional: BSG on Live Tank AIS</p>
--	---	---

CAT125

	<p>Main contact inputs Number of contact inputs: 12 (3 x 4), 4 per phase</p> <p>Auxiliary contact inputs: 6</p> <p>Analog contact inputs: 6</p> <p>Coil control outputs: 6</p> <p>Transducer inputs: 3</p>	<p>Static resistance measurement: Built-in Micro Ohmmeter 200 A</p> <p>Optional: High precision module (built-in) BSG on Live Tank AIS BSG on Dead Tank AIS</p>
--	---	---

CAT126

	<p>Main contact inputs Number of contact inputs: 12 (3 x 4), 4 per phase</p> <p>Auxiliary contact inputs: 6</p> <p>Analog contact inputs: 6</p> <p>Coil control outputs: 6</p> <p>Transducer inputs: 3</p>	<p>Static resistance measurement Built-in Micro Ohmmeter 500 A</p> <p>Optional: High precision module (built-in) BSG on Live Tank AIS BSG on Dead Tank AIS BSG on GIS</p>
--	---	---

Order info

Instrument	Article No
Circuit Breaker Analyzer & Timer CAT35	CAT3500-N-01
Circuit Breaker Analyzer & Timer CAT36	CAT3600-N-01
Circuit Breaker Analyzer & Timer CAT64A	CAT64A0-N-01
Circuit Breaker Analyzer & Timer CAT65	CAT6500-N-01
Circuit Breaker Analyzer & Timer CAT66	CAT6600-N-01
Circuit Breaker Analyzer & Timer CAT124A	CAT124A-N-01
Circuit Breaker Analyzer & Timer CAT125	CAT1250-N-01
Circuit Breaker Analyzer & Timer CAT126	CAT1260-N-01

Included accessories
Windows based DV-Win PC software including USB cable
Mains power cable
Ground (PE) cable
Plastic transport case

Standard accessories	Article No
Main contact cables	
Main contact cables 5 m (16.4 ft) with SCT clamps (for CAT35, CAT36)	CM-05-34MXST
Main contact cables 5 m (16.4 ft) with SCT clamps (for CAT64A, CAT65, CAT66)	CM-05-65MXST
Main contact cables 5 m (16.4 ft) with SCT clamps (for CAT124A, CAT125, CAT126)	CM-05-12MXST
Main contact cables extension	
Main contact cables extension 10 m (32.8 ft) (for CAT35, CAT36, CAT64A, CAT65, CAT66)	E3-10-65MXFX
Main contact cables extension 10 m (32.8 ft) (for CAT124A, CAT125, CAT126)	E6-10-12MXFX
Control cabinet cables	
Coil control cable set 5 m (16.4 ft) with banana plugs (Single-pole control -6 coil channels)	CO-05-6BC5B1
Jumper cable 1 x 15 cm 2,5 mm ² with banana plugs with retractable isolation (red) (x 6)	JCR-15-2REBP
Jumper cable 1 x 15 cm 2,5 mm ² with banana plugs with retractable isolation (black) (x 6)	JCB-15-2REBP
Test probe with grip jaws (black) (x 3)	TESTPR-GJ-B0
Test probe with grip jaws (red) (x 3)	TESTPR-GJ-R0
Coil supply cable set 4 x 5 m 2,5 mm ² (16.4 ft, 13 AWG) with banana plugs	CS-05-02BPBP
Auxiliary contacts cable set 12 x 5 m (16.4 ft) with banana plugs	AX-05-02BPBP
Analog channels cable set 12 x 5 m (16.4 ft) with banana plugs	AN-05-02BPBP
Current cables	
Current cables 2 x 10 m 50 mm ² (32.8 ft, 0 AWG) with battery clamps (for CAT36, CAT66 and CAT126)	C2-10-50VMB3
Current cables 2 x 10 m 25 mm ² (32.8 ft, 3 AWG) with battery clamps (for CAT35, CAT65 and CAT125)	C2-10-25VMB1
Sense cables	
Sense cables 2 x 10 m (32.8 ft) with alligator clamps (for CAT35, CAT36, CAT65, CAT66, CAT125 and CAT126)	S2-10-02BPA1
Cable cases	
Cable plastic case - large size (x 2)	CABLE-CAS-03

Optional accessories and features	Article No
Both Sides Grounded (BSG) of AIS (Air Insulated Substation) Live Tank Circuit Breaker for CAT3x Advanced series (3 channels - one break per phase) (available with CAT35 and CAT36)	BSG-CATII-00
Both Sides Grounded (BSG) of AIS (Air Insulated Substation) Live Tank Circuit Breaker for CAT6x and CAT12x Advanced series (6 channels - two breaks per phase) (available with CAT65, CAT66, CAT125 and CAT126)	BSG-CATII-01
Both Sides Grounded (BSG) of AIS (Air Insulated Substation) Dead Tank Circuit Breaker for CAT Advanced series (available with CAT35, CAT36, CAT65, CAT66, CAT125 and CAT126)	BSG-CATDTB-0
BSG on GIS feature for CAT Advanced series (available with CAT36, CAT66 and CAT126)	BSG-CATGIS-0
Current cables with branch connectors 2 x (3 x 5 m, 16 mm ²) with SCT clamps	C6BC-05-16GMST
Extension cables 2 x 5 m 50 mm ²	E2-05-50VMVF
AC Current clamp 1 A / 1 V and cable 5 m with banana plugs	CACL-ACBP-05
Built-in high precision measurement module (available with CAT35, CAT36, CAT65, CAT66, CAT125 and CAT126)	RMO-HPMM-DG0
Current clamp 30/300 A power supplied from the instrument with adapter 5 m (16.4 ft)	CACL-0300-07
Current clamp 30/300 A with internal battery supply and extension 5 m (16.4 ft)	CACL-0300-08
Thermal printer 112 mm (4.4 inch) (built-in)	PRINT-112-01
Thermal paper roll	PRINT-112-RO
Cable plastic case with wheels - large size	CABLE-CAS-W3

Control cabinet cables	
Coil control cable set 10 m with banana plugs (Single-pole control -6 coil channels)	CO-10-6BC5B1
Coil control cable set 15 m with banana plugs (Single-pole control -6 coil channels)	CO-15-6BC5B1
Coil control cable 5 m with banana plugs (Three-pole control - 2 coil channels)	CO-05-00C5B1
Coil control cable 10 m with banana plugs (Three-pole control - 2 coil channels)	CO-10-00C5B1
Coil control cable 15 m with banana plugs (Three-pole control - 2 coil channels)	CO-15-00C5B1
Coil supply cable set 4 x 2 m 2,5 mm ² (6.5 ft, 13 AWG) with banana plugs	CS-02-02BPBP
Coil supply cable set 4 x 5 m 2,5 mm ² (16.4 ft, 13 AWG) with banana plugs	CS-05-02BPBP
Coil supply cable set 4 x 10 m 2,5 mm ² (32.8 ft, 13 AWG) with banana plugs	CS-10-02BPBP
Coil supply cable set 2 x 2 m 2,5 mm ² with banana plugs	C2-02-02BPBP
Coil supply cable set 2 x 5 m 2,5 mm ² with banana plugs	C2-05-02BPBP
Coil supply cable set 2 x 10 m 2,5 mm ² with banana plugs	C2-10-02BPBP
Jumper cable 1 x 15 cm 2,5 mm ² with banana plugs (black)	JCB-15-2BPBP
Jumper cable 1 x 15 cm 2,5 mm ² with banana plugs (red)	JCR-15-2BPBP
Auxiliary contacts cable set 12 x 5 m with banana plugs	AX-05-02BPBP
Auxiliary contacts cable set 12 x 10 m with banana plugs	AX-10-02BPBP
Auxiliary contacts cable set 12 x 15 m with banana plugs	AX-15-02BPBP
Analog channels cable set 12 x 5 m with banana plugs	AN-05-02BPBP
Analog channels cable set 12 x 10 m with banana plugs	AN-10-02BPBP
Analog channels cable set 12 x 15 m with banana plugs	AN-15-02BPBP
Main contact cables	
Main contact cables 3 m (9.8 ft) with SCT clamps (for CAT35, CAT36)	CM-03-34MXST
Main contact cables 3 m (9.8 ft) with SCT clamps (for CAT64A, CAT65, CAT66)	CM-03-65MXST
Main contact cables 3 m (9.8 ft) with SCT clamps (for CAT124A, CAT125, CAT126)	CM-03-12MXST
Main contact cables 3 m (9.8 ft) with alligator clamps (for CAT35, CAT36)	CM-03-34MXA2
Main contact cables 5 m (16.4 ft) with alligator clamps (for CAT35, CAT36)	CM-05-34MXA2
Main contact cables 3 m (9.8 ft) with alligator clamps (for CAT64A, CAT65, CAT66)	CM-03-65MXA2
Main contact cables 5 m (16.4 ft) with alligator clamps (for CAT64A, CAT65, CAT66)	CM-05-65MXA2
Main contact cables 3 m (9.8 ft) with alligator clamps (for CAT124A, CAT125, CAT126)	CM-03-12MXA2
Main contact cables 5 m (16.4 ft) with alligator clamps (for CAT124A, CAT125, CAT126)	CM-05-12MXA2
Main contact cables extension	
Main contact cables Extension 5 m (16.4 ft) (for CAT35, CAT36, CAT64A, CAT65, CAT66)	E3-05-65MXFX
Main contact cables Extension 5 m (16.4 ft) (for CAT124A, CAT125, CAT126)	E6-05-12MXFX
Main contact cables Extension 15 m (49.2 ft) (for CAT35, CAT64A, CAT65, CAT66)	E3-15-65MXFX
Main contact cables Extension 15 m (49.2 ft) (for CAT124A, CAT125, CAT126)	E6-15-12MXFX
Current cables	
Current cables 2 x 5 m 50 mm ² (32.8 ft, 0 AWG) with battery clamps (for CAT36, CAT66 and CAT126)	C2-05-50VMB3
Current cables 2 x 15 m 70 mm ² (49.2 ft, 00 AWG) with battery clamps (for CAT36, CAT66 and CAT126)	C2-15-70VMB3
Current cables 2 x 5 m 25 mm ² (32.8 ft, 3 AWG) with battery clamps (for CAT35, CAT65 and CAT125)	C2-05-25VMB1
Current cables 2 x 15 m 35 mm ² (49.2 ft, 2 AWG) with battery clamps (for CAT35, CAT65 and CAT125)	C2-15-35VMB1
Sense cables	
Sense cables 2 x 5 m (32.8 ft) with alligator clamps A2	S2-05-02BPA2
Sense cables 2 x 15 m (49.2 ft) with alligator clamps A2	S2-15-02BPA2

Transducers	
Digital rotary transducer with 5 m (16.4 ft) connection cable	DRT-250-C605
Digital rotary transducer with 10 m (32.8 ft) connection cable	DRT-250-C610
Digital rotary transducer with 5 m (16.4 ft) connection cable with accessories	DRT-SET-0005
Digital rotary transducer with 10 m (32.8 ft) connection cable with accessories	DRT-SET-0010
Linear analog transducer (TLH) 150 mm (5.9 in) with 5 m (16.4 ft) connection cable and linear transducer rod	LAT-150-C305
Linear analog transducer (TLH) 225 mm (8.85 in) with 5 m (16.4 ft) connection cable and linear transducer rod	LAT-225-C305
Linear analog transducer (TLH) 300 mm (11.8 in) with 5 m (16.4 ft) connection cable and linear transducer rod	LAT-300-C305
Linear analog transducer (TLH) 500 mm (19.68 in) with 5 m (16.4 ft) connection cable and linear transducer rod	LAT-500-C305
Three phase digital rotary transducer kit (with 5 m connection cable)	TPH-DRTS-005
Online first trip test kit - Three-pole control for CAT Advanced series	ONFTT-KIT-01
Online first trip test kit - Single-pole control for CAT Advanced series	ONFTT-KIT-00
Transducer mounting kits	
Universal transducer mounting kit	UTM-KIT-0000
Universal transducer mounting kit - extended version	UTM-KIT-0001
Doble transducer adapter	DTA-BOX-C002
Big clamping base	UTM-LCB-0080
Small clamping base	UTM-SCB-0030
Articulated arm	UTM-AA-0288
Carrier (L profile) for digital rotary transducer	DRT-CRL-0090
Carrier for analog rotary transducer	ART-CRL-0000
Linear transducer rod	LAT-ROD-0000
Bellow coupling (M6)	DRT-COUP-003
Bellow coupling (M10)	DRT-COUP-001
Magnet	UTM-MAG-0800
Four mechanical adapters 10 mm (M6, M8, M10, M12)	DRT-MADP-004
Four mechanical adapters 6 mm (M6, M8, M10, M12)	DRT-MADP-604

B-CATADV-118-EN

Date published: 2023-02-06

Subject to change without notice

IBEKO Power AB

Lejonstigen 9

181 32 Lidingö, Sweden

Contact

Phone: +46 70 0925 000

E-mail: sales@dv-power.com